

INVITATION FOR QUOTATION**05-Dec-2015****TEQIP-II/2015/GJ1G02/Shopping/M-BVM-16****To,****Sub: Invitation for Quotations for supply of Goods**

Dear Sir,

1. You are invited to submit your most competitive quotation for the following goods with item wise detailed specifications given at Annexure I,

Sr. No	Brief Description	Quantity	Delivery Period(In days)	Place of Delivery	Installation Requirement (if any)
1	VGA cable (15 m length)	16	30	BVM Engineering College, Vallabh Vidyanagar, Gujarat-388120	Free at the time of delivery at our site
2	Power Cable (15 m length)	16	30	BVM Engineering College, Vallabh Vidyanagar, Gujarat-388120	Free at the time of delivery at our site
3	Ceiling mount kit	16	30	BVM Engineering College, Vallabh Vidyanagar, Gujarat-388120	Free at the time of delivery at our site
4	Installation and Commissioning of projectors in class rooms (Ceiling Mount)	16	30	BVM Engineering College, Vallabh Vidyanagar, Gujarat-388120	Free at the time of delivery at our site
5	Projector Stand with castor wheels	15	30	BVM Engineering College, Vallabh Vidyanagar,	Free at the time of delivery at our site

				Gujarat-388120	
--	--	--	--	----------------	--

2. Government of India has received a credit from the International Development Association (IDA) towards the cost of the **Technical Education Quality Improvement Programme [TEQIP]-Phase II** Project and intends to apply part of the proceeds of this credit to eligible payments under the contract for which this invitation for quotations is issued.
3. Quotation,
 - 3.1 The contract shall be for the full quantity as described above.
 - 3.2 Corrections, if any, shall be made by crossing out, initialing, dating and re writing.
 - 3.3 All duties and other levies payable by the supplier under the contract shall be included in the unit price.
 - 3.4 Applicable taxes shall be quoted separately for all items.
 - 3.5 The prices quoted by the bidder shall be fixed for the duration of the contract and shall not be subject to adjustment on any account.
 - 3.6 The Prices should be quoted in Indian Rupees only.
4. Each bidder shall submit only one quotation.
5. Quotation shall remain valid for a period not less than **60** days after the last date of quotation submission.
6. Evaluation of Quotations,

The Purchaser will evaluate and compare the quotations determined to be substantially responsive i.e. which

 - 6.1 are properly signed ; and
 - 6.2 Confirm to the terms and conditions, and specifications.
7. The Quotations would be evaluated for all items together.
8. Award of contract:

The Purchaser will award the contract to the bidder whose quotation has been determined to be substantially responsive and who has offered the lowest evaluated quotation price.

- 8.1 Notwithstanding the above, the Purchaser reserves the right to accept or reject any quotations and to cancel the bidding process and reject all quotations at any time prior to the award of contract.
- 8.2 The bidder whose bid is accepted will be notified of the award of contract by the Purchaser prior to expiration of the quotation validity period. The terms of the accepted offer shall be incorporated in the purchase order.
9. Payment shall be made in Indian Rupees as follows:
- Delivery and Installation - 90% of total cost**
- Satisfactory Acceptance - 10% of total cost**
10. All supplied items are under warranty of **36 months** from the date of successful acceptance of items with free repairs and free replacement at out site.
11. You are requested to provide your offer latest by **15:00** hours on **24-Dec-2015**.
12. Detailed specifications of the items are at Annexure I.
13. Training Clause (if any) **Free Training at the time of Installation at our site**
14. Testing/Installation Clause (if any) **Free Installation at the time of delivery at our site**
15. Information brochures/ Product catalogue, if any must be accompanied with the quotation clearly indicating the model quoted for.
16. Sealed quotation to be submitted/ delivered at the address mentioned below,
BVM Engineering College, Vallabh Vidyanagar, Dist: Anand , Gujarat- 388120
17. We look forward to receiving your quotation and thank you for your interest in this project.

(Authorized Signatory)

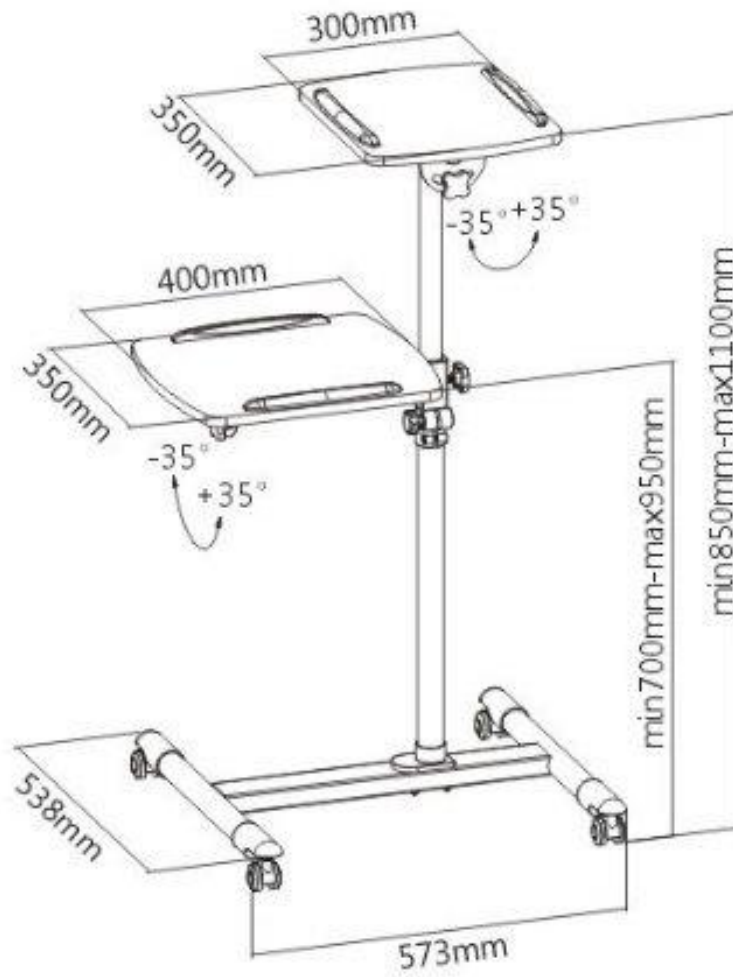
Name & Designation

Annexure I

Sr. No	Item Name	Specifications
1	VGA cable for LCD Projectors	VGA to VGA (15 Pin Male to Male) Double Ferrites, 15 m length
2	Power cable	15 m length
3	Ceiling Mount Bracket	<ul style="list-style-type: none"> • Universal Projector Ceiling Mount Bracket, Heavy Duty, can be extended up to 3 feet • with cage/box and lock
4	Installation and Commissioning of projectors in class rooms (Ceiling Mount)	<ul style="list-style-type: none"> • Inclusive of material required for cabling
5	Projector Stand with castor wheels (As per drawing attached)	<ul style="list-style-type: none"> • Adjustable Height: 850-1100mm • Four 2" casters (2 lockable) • Powder coated steel parts • Rotation: 360 degree • Tilt: 35° up or down • Rated Weight Capacity: 10kg • Modular design for easy assembly and disassembly

Sample Drawing of Item No. 5

Projector Stand with castor wheels



FORMAT FOR QUOTATION SUBMISSION

(In letterhead of the supplier with seal)

Date: _____

To:

Sl. No.	Description of goods (with full Specifications)	Qty.	Unit	Quoted Unit rate in Rs. (Including Ex Factory price, excise duty, packing and forwarding, transportation, insurance, other local costs incidental to delivery and warranty/ guaranty commitments)	Total Price (A)	Sales tax and other taxes payable	
						In %	In figures (B)
Total Cost							

Gross Total Cost (A+B): Rs. _____

We agree to supply the above goods in accordance with the technical specifications for a total contract price of Rs. _____ (Amount in figures) (Rupees _____ amount in words) within the period specified in the Invitation for Quotations.

We confirm that the normal commercial warranty/ guarantee of _____ months shall apply to the offered items and we also confirm to agree with terms and conditions as mentioned in the Invitation Letter.

We hereby certify that we have taken steps to ensure that no person acting for us or on our behalf will engage in bribery.

Signature of Supplier

Name: _____

Address: _____

Contact No: _____

Web Copy